



TERRA

LOADER BUCKET INSPECTION CHECK LIST

Required information

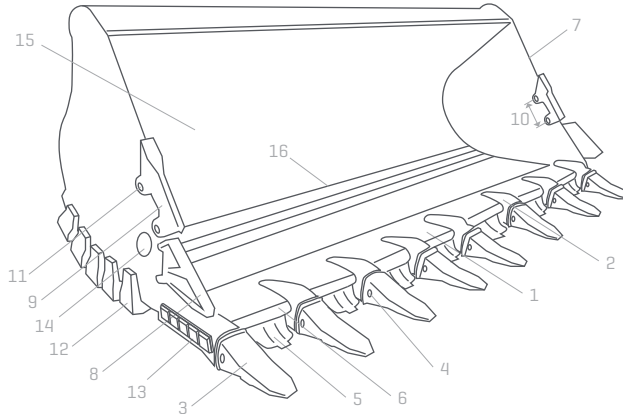
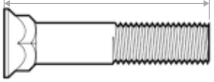
Customer _____
 Machine _____
 Plant no. _____
 Technician _____
 Date _____

Additional information

Bolt Size

- 5/8
- 3/4
- 7/8
- 1"
- 1 1/4

Length:



Lip Shape

- Spade
- Straight

Bucket Type

- Rock
- Heavy Duty
- Standard

	Part No	Qty	Size [if applicable]	Type [if applicable]
1	Bucket lip thickness			
2	Adapter			
3	Tip			
4	Pin			
	Retainer			
5	Segment OR			
6	Half arrow segment [Centre]			
	Half arrow segment [RH]			
	Half arrow segment [LH]			
	Top Cover Plate [Centre]			
	Top Cover Plate [RH]			
	Top Cover Plate [LH]			
	Half arrow segment bolt			
7	Leading edge thickness			
8	Side cutter / tip			
9	Leading edge protector			
10	Centre-to-centre Hole spacing			
11	Pin			
12	Heel block			
13	Chocky bar			
14	Wear button			
15	Back plate			
16	Wear strips			
	Wear liners 1			
	Wear liners 2			
	Wear liners 3			